

# TS-01

## Digital Temperature Sensor

Exclusive accessory for GCU-2000 Digital Genset PLC Control Unit

### Features

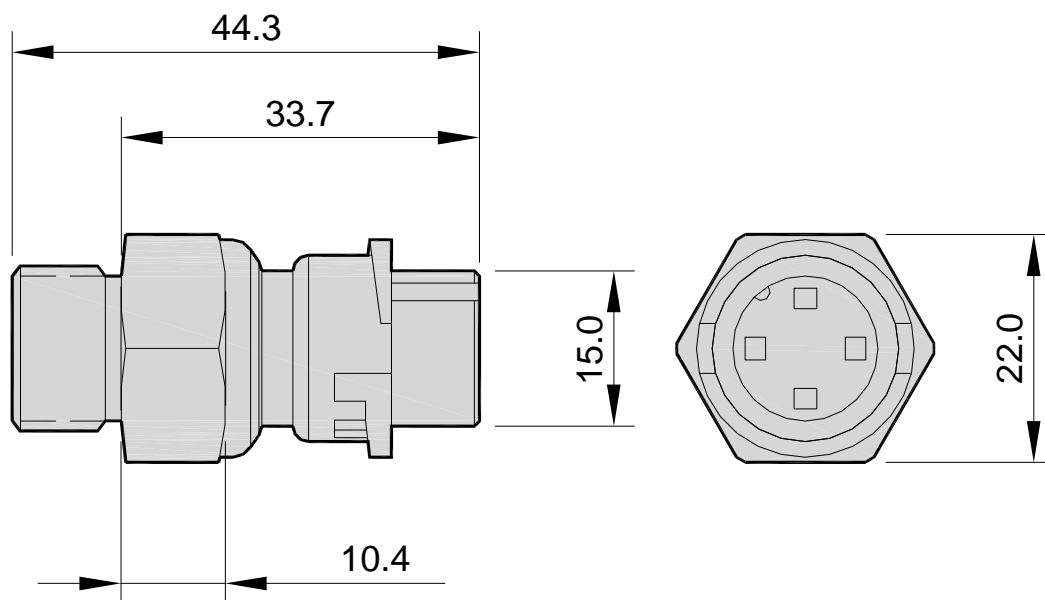
- Accuracy  $-25\sim 100\text{ }^{\circ}\text{C} \pm 2.0\text{ }^{\circ}\text{C}$  (Max.)
- Operating Temperature Range  $-55\sim 125\text{ }^{\circ}\text{C}$
- Display Accuracy  $0.5\text{ }^{\circ}\text{C}$  / step
- ESD Protection 2000V
- Transmission Distance 30M
- Waterproof Integral Electrical Connector
- Exceptional Shake and Vibration Tolerance
- No Adjustment Needed, 100% Compatibility if New Sensor Replaced
- Built in Digital Sensor, Excellent Accuracy, More Precise Than the Traditional Thermocouple or Resistance Temperature Sensor
- Extremely Stable Linearity Output, No need for Adjustment After Installation or Maintenance



### Specifications

<b>Supply Voltage</b>	3.0~5.5 VDC	<b>ESD Protection</b>	2000V
<b>Supply Current</b>	1.0 mA	<b>Output Interface</b>	SMBus Interface
<b>Accuracy</b>	$-25\sim 100\text{ }^{\circ}\text{C} \pm 2.0\text{ }^{\circ}\text{C}$ (Max.)	<b>Thread</b>	M16-1.5
<b>Display Accuracy</b>	$0.5\text{ }^{\circ}\text{C}$ / Step	<b>Ingress Protection</b>	IP65
<b>Burst Temperature</b>	$260\text{ }^{\circ}\text{C}$ (10 sec.)	<b>Operating Temperature</b>	$-55\sim 125\text{ }^{\circ}\text{C}$

### Mechanical Specifications (Unit : mm)



### Physical Specification

<b>Dimensions</b>	TS-01-2.5 2.5M	<b>Weight</b>	TS-01-2.5 154 g $\pm 2\%$
	TS-01-5.0 5.0M		TS-01-5.0 249 g $\pm 2\%$