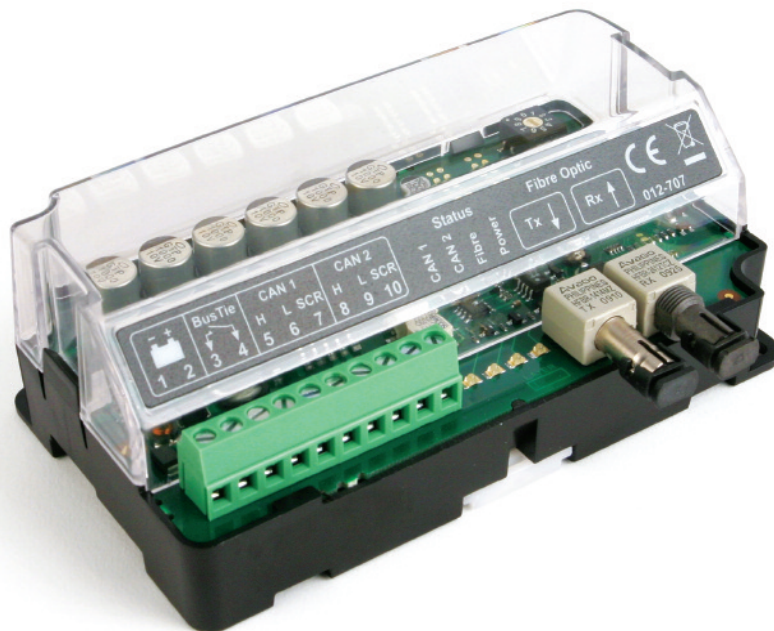


DSEEXTRA[®] BATTERY CHARGERS AND EXPANSION MODULES.

DSE124 CANBUS EXTENDER



The DSE124 is a CANbus extender capable of extending either the Multiset Comms (MSC) Load Share Link or engine CANbus.

4 red LEDs provide indication of the module's operational status.

Two variants are available:

1. 124-01

With fibre optic port. This version can be used to provide a 2000m segment between two extenders with no reduction in speed or number of modules that can be accommodated.

2. 124-02

Without the fibre optic port. This version is used for applications where only copper cable is required.

A maximum of 8 copper 250m segments and 2 fibre optic 2000m segments can be used together.

Both modules have been designed for DIN rail mounting or for fitting directly to the chassis.

SPECIFICATION

MINIMUM SUPPLY VOLTAGE

8V continuous

CRANKING DROPOUTS

Able to survive 0V for 50ms providing the supply was at least 10V before the dropout and recovers to 5 volts afterwards.

MAX OPERATING SUPPLY VOLTAGE

35V continuous.

MAX OPERATING SUPPLY CURRENT

191mA at 12V, 99mA at 24V.
Digital input grounded, passing MSC protocol at 75% bus capacity, Fibre port fitted.

MAXIMUM STANDBY CURRENT

147mA at 12V, 76mA at 24V
digital input open circuit, no activity on CAN or Fibre ports.

DIGITAL INPUT

1 x configurable digital input

CASE DIMENSIONS

133.9mm x 76.4mm x 48.9mm.

ENVIRONMENTAL TESTING STANDARDS

ELECTRO MAGNETIC COMPATIBILITY

BS EN 61000-6-2
EMC Generic Immunity Standard for the Industrial Environment
BS EN 61000-6-4
EMC Generic Emission Standard for the Industrial Environment

ELECTRICAL SAFETY

BS EN 60950
Safety of Information Technology Equipment, including Electrical Business Equipment

TEMPERATURE

BS EN 60068
Test Ab to +70oC 60068-2-2 Hot
Test Ab to -30oC 60068-2-1 Cold

HUMIDITY

BS 2011 part 2.1 60068-2-30
Test Cb Ob Cyclic
93% RH @ 40oC for 48 hours

VIBRATION

BS EN 60068-2-6
Ten sweeps in each of three major axes 5Hz to 8Hz @ +/-7.5mm, 8Hz to 500Hz @ 2gn

IP RATING

BS EN 60529.
Degrees of protection provided by enclosures IP21

DEEP SEA ELECTRONICS PLC

Highfield House
Hunmanby Industrial Estate
Hunmanby, North Yorkshire
YO14 0PH England

TELEPHONE

+44 (0)1723 890099

FACSIMILE

+44 (0)1723 893303

EMAIL

sales@deepseapl.com

WEBSITE

www.deepseapl.com

Registered in England & Wales No.01319649

VAT No.316923457

DEEP SEA ELECTRONICS INC

3230 Williams Avenue
Rockford
IL 61101-2668 USA

TELEPHONE

+1 (815) 316 8706

FACSIMILE

+1 (815) 316 8708

EMAIL

sales@deepseausa.com

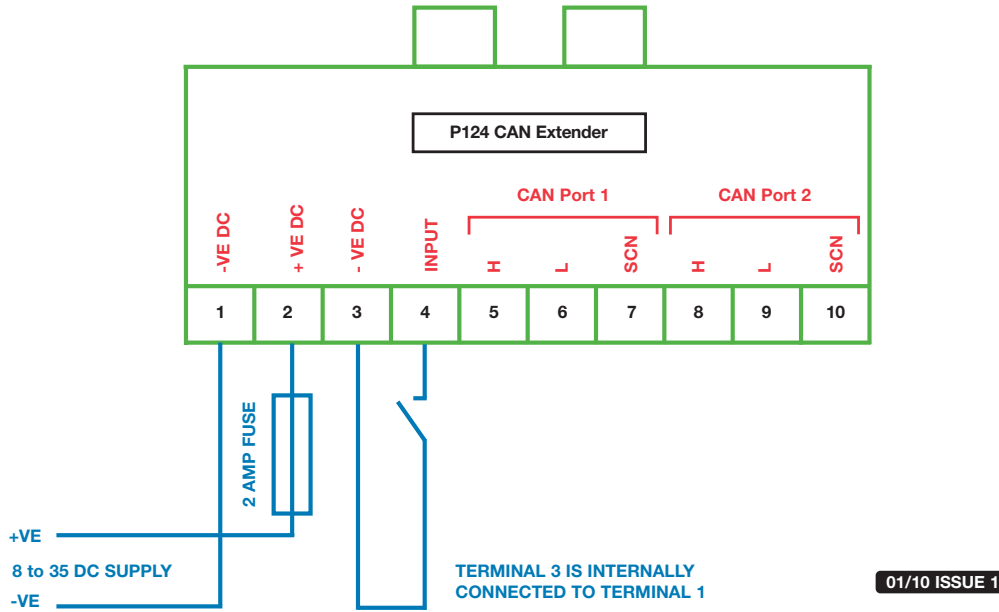
WEBSITE

www.deepseausa.com

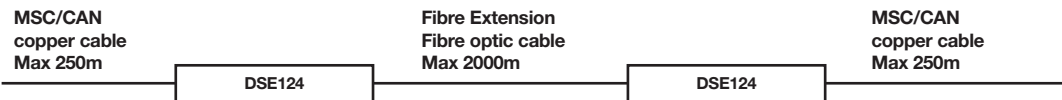


DSE124

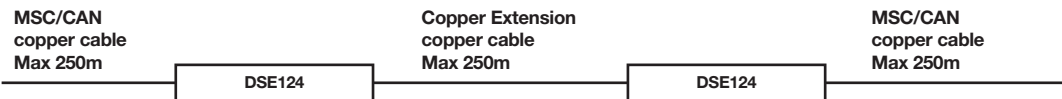
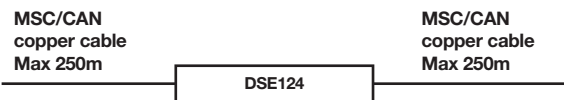
ST TYPE FIBRE OPTIC CONNECTORS TRANSMIT AND RECEIVE

**FIBRE OPTIC EXPANSION**

This facility is only available with DSE124-01

**COPPER CABLE EXPANSION**

This facility is available with either DSE124-01 or DSE124-02



OTHER EXPANSION OPTIONS ARE LISTED IN THE OPERATORS MANUAL

RELATED MATERIALS**TITLE**

DSE124 Operator Manual
DSE124 Installation Instructions

PART NO'S

057-116
053-068



DEEP SEA ELECTRONICS PLC maintains a policy of continuous development and reserves the right to change the details shown on this data sheet without prior notice. The contents are intended for guidance only.



This data sheet is printed on 9lives 55 Silk, which is produced with 55% recycled fibre from both pre and post-consumer sources, together with 45% virgin ECF fibre.