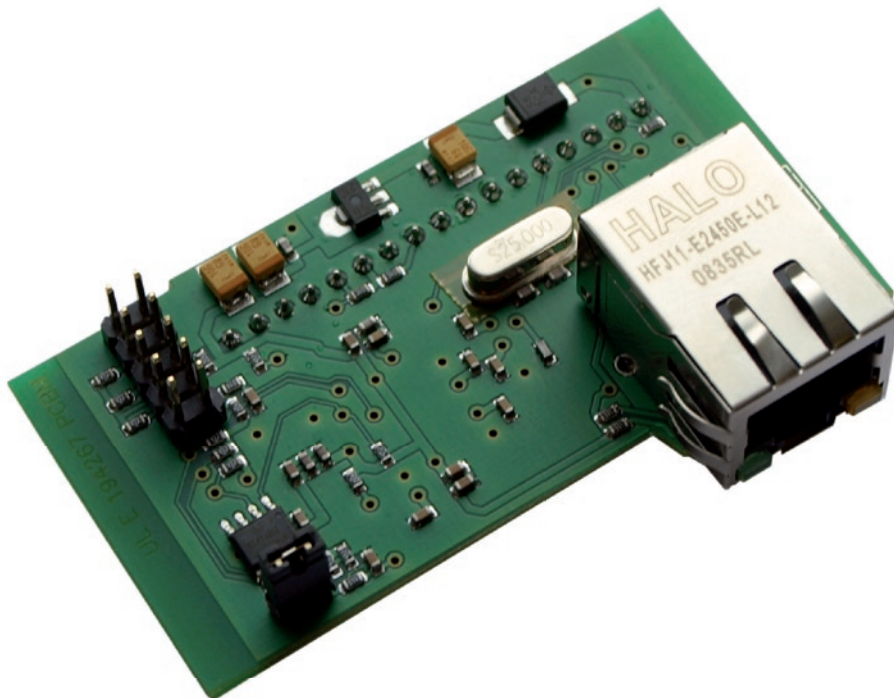


# IB-Lite



## PLUG-IN COMMUNICATION MODULE



### Description

The IB-Lite module is a plug-in communication module with ethernet interface developed for controllers based on IntelliLite<sup>NT</sup> and IntelliCompact<sup>NT</sup> platform. Ethernet interface allows fast remote connection of LiteEdit or IntelliMonitor to the controller from all the world through the Internet network, whereas all functions work the same way as when connected through a serial cable. The module also allows the controller to be integrated into a building management system using the Modbus/TCP protocol. Simple web-based interface will allow basic monitoring and adjustment even those, who do not have LiteEdit or IntelliMonitor, just using their web browsers.

### Benefits

- ▶ Integrated solution – the module is plugged in directly into the controller, no additional power supply and other wiring (except ethernet cable itself).
- ▶ More protocols in one module - ComAp/TCP (LE, IMON), SMTP (active e-mails), HTTP (web access), Modbus/TCP (building management).
- ▶ Web access – basic monitoring and adjustment without any dedicated software.
- ▶ Perfect price/performance ratio



ComAp is a member of AMPS  
(The Association of Manufacturers  
of Power generating Systems).



ComAp products meet the highest standards, with every stage of production undertaken in accordance with the ISO certification obtained in 1998.

## Features

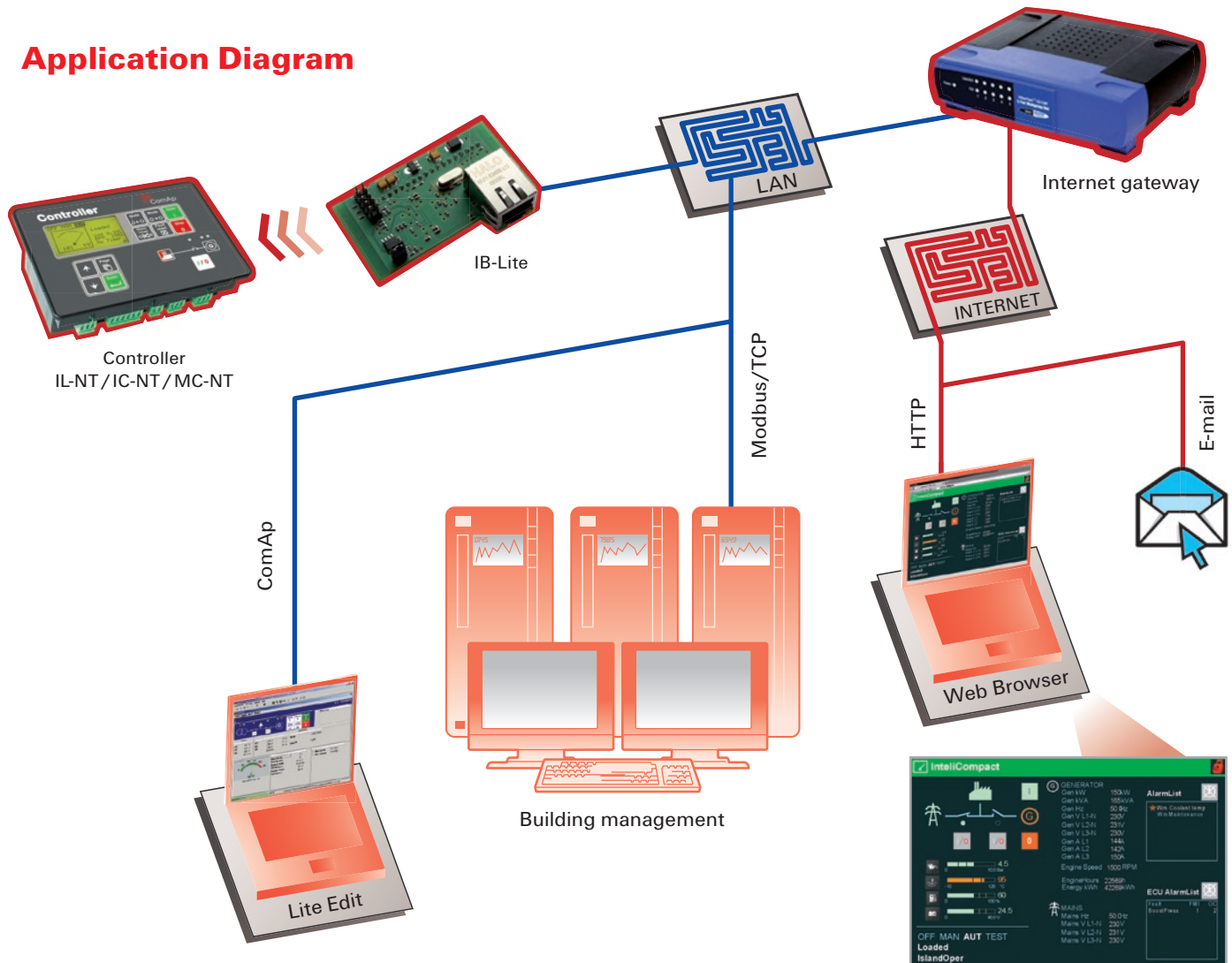
- ▶ Plug-in module
- ▶ Ethernet 10/100Mbit RJ45 interface
- ▶ Web interface for configuration and firmware upgrade of the module
- ▶ Fixed IP address (no DHCP)
- ▶ ComAp protocol for communication with LiteEdit or IntelliMonitor
- ▶ SMTP protocol with authentication for sending of active e-mails
- ▶ Modbus/TCP protocol for integration into building management systems
- ▶ Web interface for basic monitoring and adjustment of the controller\*

\* available from version 2.0

## Compatible controllers

- ▶ IntelliLite<sup>NT</sup>
- ▶ IntelliCompact<sup>NT</sup>
- ▶ MainsCompact<sup>NT</sup>

## Application Diagram



MANUFACTURER:

**ComAp, spol. s r.o.**  
 Czech Republic  
 Phone: + 420 246 012 111  
 Fax: + 420 266 316 647  
 E-mail: info@comap.cz  
 Internet: www.comap.cz

LOCAL DISTRIBUTOR / PARTNER:

